

# PLUG & TOUCH BY RODENSTOCK

NON-CONTACT TONOMETER  
NCT 2000

Maximum comfort. For all.

- Touch-screen alignment system
- Cornea thickness related IOP correction
- Auto-alignment + auto-measurement
- Patient-friendly soft and silent air pulse
- High-speed measurement



# QUALITY IN DETAIL



## Touch-screen alignment system

The 5.7 inch colour touch-screen is used to monitor operation and display the measurement results. The measurement head can be moved in all directions simply by touching the screen. All commands are inputted via touch-screen.

## Cornea thickness related IOP

You can easily adjust the measured IOP data according to the central corneal thickness. The calculation formula used by the **NCT 2000** is easily amended according to your own preference.

## Auto-alignment + auto-measurement

Operating the **NCT 2000** couldn't be easier. Simply align the measurement head towards the patient's eye and the instrument takes over, handling fine adjustment and measurement all by itself. Once the first measurement is completed, the colour touch-screen displays a prompt to automatically repeat the measurement process on the other eye.

## Soft and silent air pulse

For the comfort of your patient the **NCT 2000** is designed to use a very gentle air pulse. Even the noise generated by the instrument is reduced to the minimum, thereby relaxing your patient to facilitate highly accurate results.

## High speed measurement

If you choose the multi measurement option the **NCT 2000** produces up to three air pulses in an extremely short sequence (0.1 seconds each).

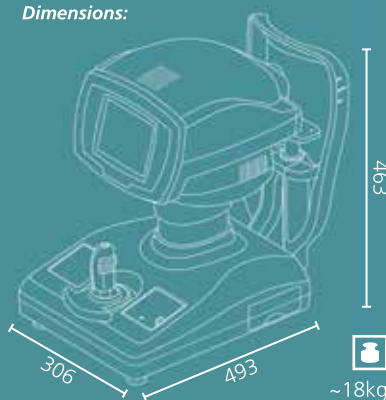


Auto-alignment / Auto-measurement

Right				Left			
No	Data	No	Data	No	Data	No	Data
1	11 eH	6	11	1	11 eH	6	11
2	12	7	12	2	12	7	12
3	12 E	8		3	12 E	8	
4	11 e	9		4	11 e	9	
5	12 M	10		5	12 M	10	
AVG 11.5mmHg (15.2hPa)				AVG 11.5mmHg (15.2hPa)			
aIOP 17.1mmHg (22.8hPa)				aIOP 9.8mmHg (13.1hPa)			
OCT <sub>R</sub> = 450 μm				OCT <sub>L</sub> = 585 μm			

Data List

Dimensions:



## SPECIFICATIONS

### Measuring intraocular pressure

Measurement range.....0-60 mm Hg,  
(0-30 mm Hg/25-60 mm Hg)  
Measurement .....1 mm Hg (1 hPa) increments  
within the measurement range

### Energy and other consumption

Light source .....Light emitting diode  
Prism .....880 nm

### Sight-fixing lamp

Light source .....Light emitting diode  
(3-colour chip)  
Wavelength .....Red 630 nm  
Green 520 nm  
Blue 470 nm  
Output.....Red < 0.1 μW (Limit 1:3.7 μW)  
Green < 0.1 μW (Limit 1:3.7 μW)  
Blue < 0.1 μW (Limit 1:3.7 μW)

### Light for anterior eye segment

Light source .....Light emitting diode  
Wavelength .....780 nm  
Output.....< 100 μW (Limit 1: 450 μW)  
1 AEL Class 1 Conforming  
to IEC 60825-1:2001  
Standards applied .....MDD ANNEX II, ISO 13485

### Main unit

Built-in printer.....Thermosensitive line printer  
Stroke of moving  
section.....88 mm (X-axis)  
40 mm (Y-axis)  
45 mm (Z-axis)  
Stroke of chin rest.....70 mm  
Data output type .....RS-232C  
Display.....5.7" colour LCD

### Dimensions & electrical requirements

Dimensions WDH.....306 × 493 × 463 mm  
Weight .....Approx. 18.0 kg  
Input .....AC 100 V to 240 V  
Frequency .....50/60 Hz  
Power consumption .....Less than 85 VA

